



Pot Holding Systems with Central Hole

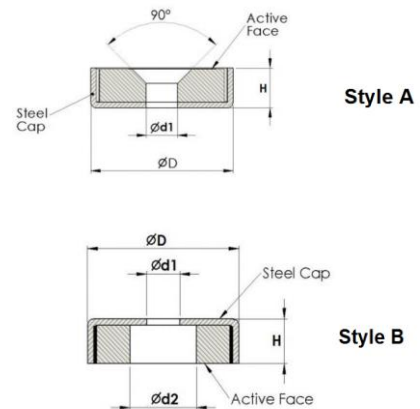
Pot Holding Systems with Centre Hole

The pot holding systems that incorporate a centre hole are perfect for many different holding applications. The structure consists of a magnet encased in a steel cup. This design makes them robust and also ensures an additional magnetic hold compared with the magnet being used independently.

Style A pots, on the active face, have a countersunk hole and can be easily fixed using a countersunk screw.

Style B pots have a through hole mounting on the active face. Using a cap screw, these can be easily fixed into position

| Ferrite Pot with Centre Hole | | | | | | | |
|------------------------------|-------|----|------|-----|------|---------------|--------------------|
| Dimensions (mm) | | | | | | | |
| Part Number | Style | ØD | Ød1 | Ød2 | H | Tapered Screw | Holding Force (Kg) |
| SFSP 00168 | B | 16 | 3.2 | - | 4.5 | M3 | 1.8 |
| SFSP 00109 | B | 20 | 4.2 | - | 6 | M4 | 2.7 |
| SFSP 00110 | B | 25 | 5.5 | - | 7 | M5 | 3.6 |
| SFSP 00111 | B | 32 | 5.5 | - | 7 | M5 | 7.2 |
| SFSP 00125 | B | 40 | 5.5 | - | 8 | M5 | 9.0 |
| SFSP00112/5.5 | C | 50 | 5.5 | 22 | 10 | - | 18.0 |
| SFSP 00112 | C | 50 | 8.5 | 22 | 10 | - | 18.0 |
| SFSP 00169 | C | 63 | 6.5 | 24 | 14 | - | 29.0 |
| SFSP 00933* | B | 90 | 8.5 | - | 12.5 | M8 | 55.0 |
| SFSP 00499 | B | 90 | 10.5 | - | 12 | M10 | 60.0 |
| SFSP 01947* | B | 90 | 10.5 | - | 12.5 | M10 | 55.0 |
| GENERAL TOLERANCES ± 0.15 | | | | | | | |
| * Internal Thread | | | | | | | |



| Neodymium Pot with Centre Hole | | | | | | | |
|--------------------------------|-------|----|-----|------|------|---------------|--------------------|
| Dimensions (mm) | | | | | | | |
| Part Number | Style | ØD | Ød1 | Ød2 | H | Tapered Screw | Holding Force (Kg) |
| NISP 01420 | A | 16 | 3.2 | - | 4.5 | M3 | 6.5 |
| NISP 01599 | A | 20 | 4.5 | - | 6.0 | M4 | 8.0 |
| NISP 01600 | A | 25 | 4.5 | - | 7.0 | M4 | 14.5 |
| NISP 01574 | A | 32 | 5.5 | - | 7.0 | M5 | 21.5 |
| NISP 01601 | A | 40 | 5.5 | - | 8.0 | M5 | 40.0 |
| NISP 01760 | B | 48 | 8.5 | 16.0 | 11.5 | M8 | 65.0 |
| GENERAL TOLERANCES ± 0.15 | | | | | | | |

| Alnico High Temp Shallow Pot (up to 500 °C) | | | | | | | |
|---|-------|------|-----|------|---------------|--------------------|--|
| Dimensions (mm) | | | | | | | |
| Part Number | Style | ØD | Ød1 | H | Tapered Screw | Holding Force (kg) | |
| ALSP 00217 | A | 19.1 | 4.2 | 7.6 | M4 | 3.0 | |
| ALSP 00218 | A | 28.6 | 5.2 | 8.7 | M5 | 5.0 | |
| ALSP 00219 | A | 38.1 | 5 | 10.6 | M5 | 13.0 | |
| Supplied Magnitised and Kept | | | | | | | |

Please note:

Holding Forces are based upon direct contact with a thick, clean mild steel surface. Holding Forces will be reduced with heavily painted or corroded surfaces.

Over tightening screws can lead to cracking and other damage. Therefore these pots should not be used for mechanical holding applications. Please take care when selecting a screw to use in conjunction with these pots as a steel screw could alter the flux and reduce the magnetic force. We suggest using 304 stainless steel screws where possible. Before selecting a choice of holding system please consider the working environment of your application.