



# NdFeB

## Sintered Anisotropic Neodymium Iron Boron – Pots

Rare Earth NdFeB pots and assemblies can offer up to eleven times the performance of a Ferrite system in a comparable size. Applications tend to be specialised engineering projects where performance and available space are key factors. Maximum operating temperatures are +80°C.

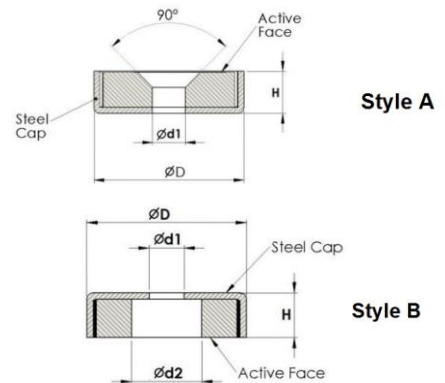
Style A pots, on the active face, have a countersunk hole and can be easily fixed using a countersunk screw.

Style B pots have a through hole mounting on the active face. Using a cap screw, these can be easily fixed into position.

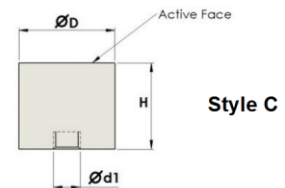
Style C is a deep pot that has an internal thread on the non-active face.

A small selection of typical standard parts below.

Neodymium Pot with Centre Hole							
Dimensions (mm)							
Part Number	Style	ØD	Ød1	Ød2	H	Tapered Screw	Holding Force (Kg)
NISP 01420	A	16	3.2	-	4.5	M3	6.5
NISP 01599	A	20	4.5	-	6.0	M4	8.0
NISP 01600	A	25	4.5	-	7.0	M4	14.5
NISP 01574	A	32	5.5	-	7.0	M5	21.5
NISP 01601	A	40	5.5	-	8.0	M5	40.0
NISP 01760	B	48	8.5	16.0	11.5	M8	65.0
GENERAL TOLERANCES ± 0.15							



Neodymium Deep Pot					
Dimensions (mm)					
Part Number	Style	ØD	H	Ød1	Holding Force (kg)
NIDP 00695	C	35	45	M10	60.0



**Please note:**  
 Holding Forces are based upon direct contact with a thick, clean mild steel surface. Holding Forces will be reduced with heavily painted or corroded surfaces.  
 Over tightening screws can lead to cracking and other damage. Therefore these pots should not be used for mechanical holding applications.  
 Please take care when selecting a screw to use in conjunction with these pots as a steel screw could alter the flux and reduce the magnetic force. We suggest using 304 stainless steel screws where possible.  
 Before selecting a choice of holding system please consider the working environment of your application.

Magnet Sales & Service Limited  
 Unit 31 Blackworth Industrial Estate,  
 Highworth, Wilts SN6 7NA UK

Tel: +44 (0)1793 862100  
 Fax: +44 (0)17993 862101  
 sales@magnetsales.co.uk  
 www.magnetsales.co.uk

