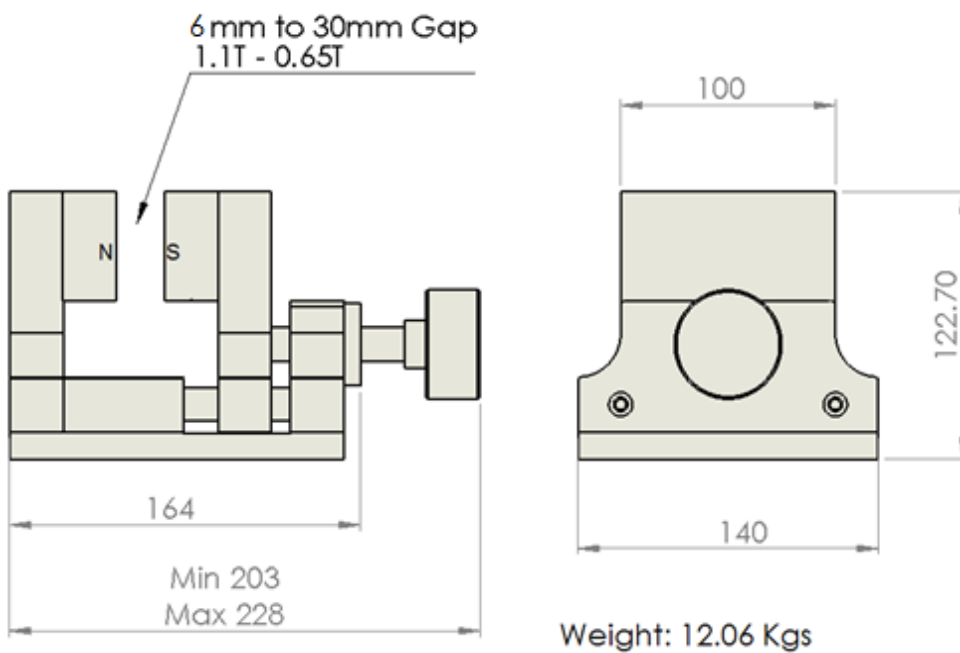




Laboratory Magnets – Adjustable Dipole

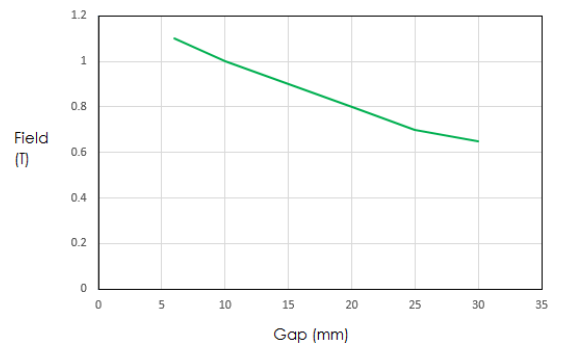
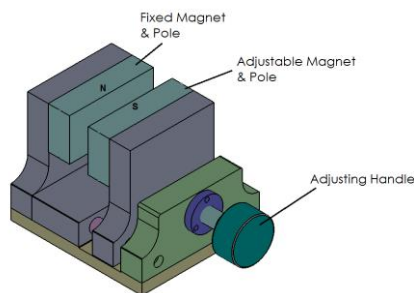
To meet the demands of our customers, Magnet Sales and Service Limited have developed an adjustable dipole assembly, providing a variable gap/strength ranging from 6-30mm and a field strength of 1.1T-0.65T.



Part: NIAS02225

Price: GB£3950.00

+ Carriage
+ VAT



Magnet Sales & Service Limited
Unit 31 Blackworth Industrial Estate,
Highworth, Wilts SN6 7NA UK

Tel: +44 (0)1793 862100
Fax: +44 (0)17993 862101
sales@magnetsales.co.uk
www.magnetsales.co.uk